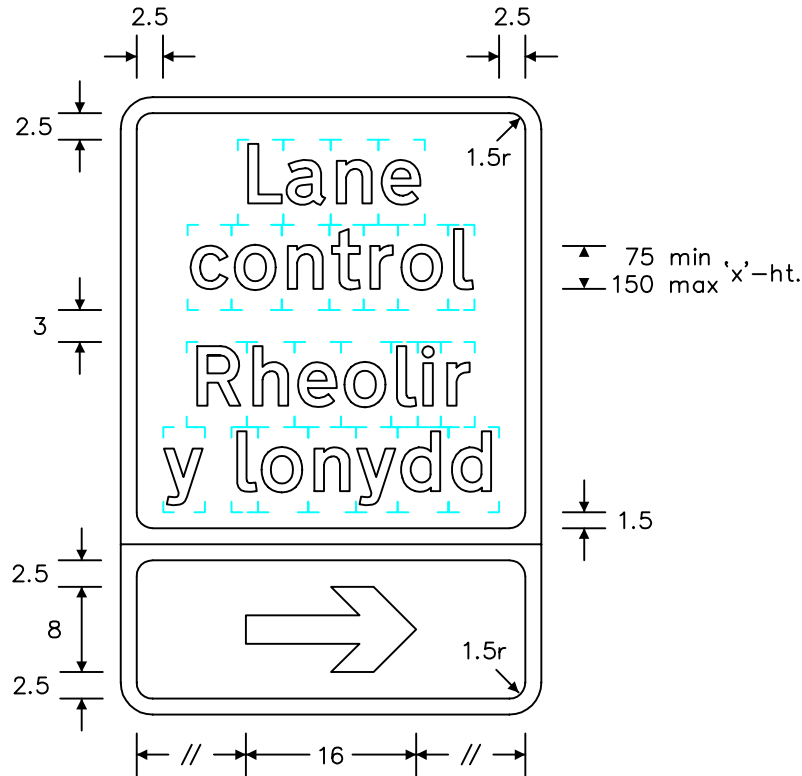


Notes:-

1. The legend is from the Transport Medium alphabet at the 'x'-heights shown.
2. The outlines of the tiles do not form part of the sign.
3. The colours are as follows:-
 - Upper Panel
 - Legend and border ——— White
 - Background ——— Blue
 - Lower Panel
 - Arrow & border ——— Black
 - Background ——— White
4. The illumination of the sign must accord with the requirements of the current 'Traffic Signs Regulations and General Directions'.
5. The 'x'-heights shown are given in millimetres, all other dimensions are given in stroke widths (i.e. 1s/w = 1/4 'x'-height).
6. The sign is designed in accordance with the current design rules.
7. The order of languages may be reversed if required.



REVISIONS	
1.	819.3 renumbered to 5015, 5012, 5013 & 5014 added 29.6.98
2.	Redrawn & notes amended 13.9.00
3.	Legend amended 5.12.06
Before using this drawing, confirm with RNM3 Division that it has not been superseded.	
Drn. A.T.I.	Appd.
Chkd.	Appl. date 13.6.90
Issue: 5.12.06	
Scale: Photo-reduced	
Title Informatory Signs	
LANE CONTROL SIGNALS AHEAD	
WELSH ASSEMBLY GOVERNMENT	
Drwg. no.	WAG/P 5013