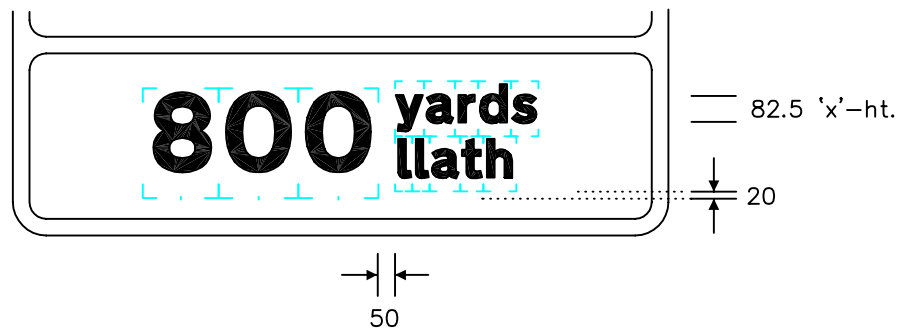
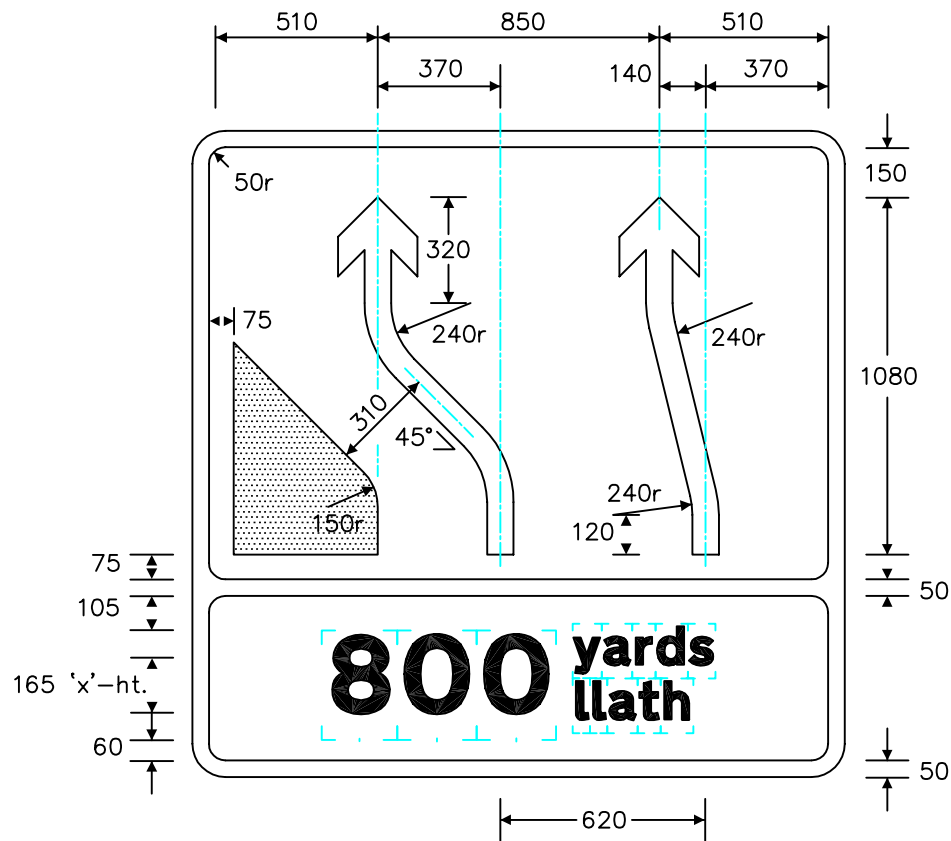


Notes: -

1. The legend is from the Transport Heavy alphabet at the 'x'-heights shown.
2. The outlines of the tiles do not form part of the sign.
3. The colours are as follows: -
 Border, panel dividers, legend and arrows ——— Black
 Block (shaded) ——— Red
 Background ——— Yellow
4. The illumination of the sign must accord with the requirements of the current 'Traffic Signs Regulations and General Directions'.
5. The order of languages may be reversed if required.
6. All dimensions are given in millimetres.



REVISIONS	
1. Legend amended	25.7.03
2. Notes amended	20.12.06
Before using this drawing, confirm with RNM3 Division that it has not been superseded.	
Drn. A.T.I.	Appd.
Chkd.	Appl. date 20.1.97
Issue: 20.12.06	
Scale: Photo-reduced	
Title Temporary Sign	
LANES RETURN TO NORMAL WIDTH	
WELSH ASSEMBLY GOVERNMENT	
Drwg. no.	WAG/P 7236