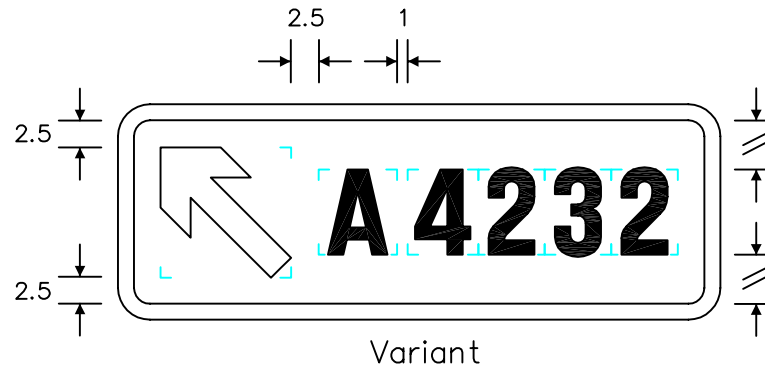
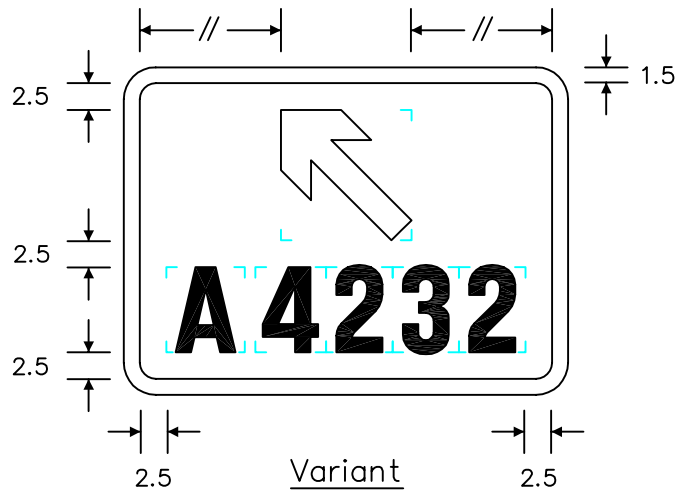
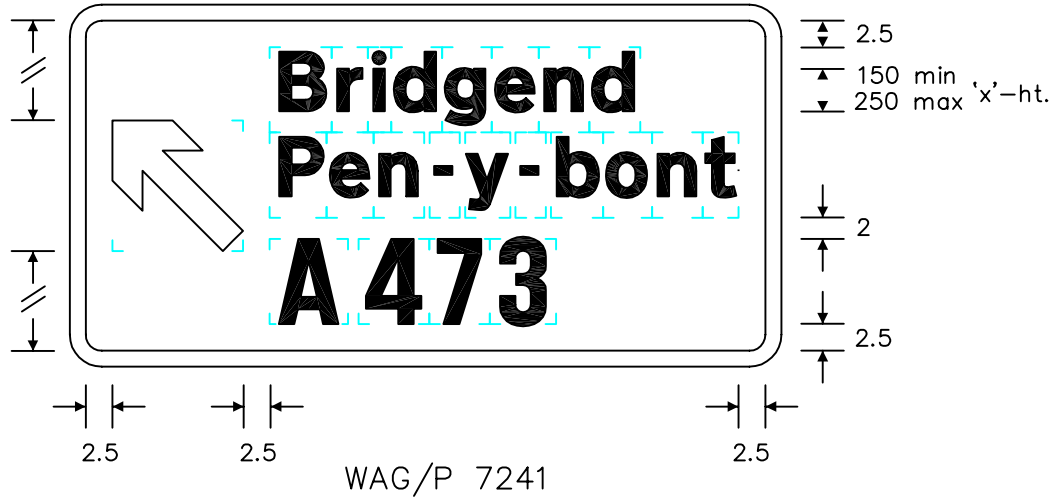


Notes:-

1. The legends are from the Transport Heavy alphabet for the destination and from the Motorway Heavy alphabet for the route number at the 'x'-heights shown.
2. The outlines of the tiles do not form part of the sign.
3. The colours are as follows:-
 Legend, border and arrows ——— Black
 Background ——— Yellow
4. The 'x'-heights shown are given in millimetres, all other dimensions are given in stroke widths (i.e. $1s/w = 1/4x'$ -height).
5. The order of languages may be reversed if required.



REVISIONS	
1. Hyphen spacing amended	12.8.03
2. Notes amended	21.12.06
Before using this drawing, confirm with RNM3 Division that it has not been superseded.	
Drn. A.T.I.	Appd.
Chkd.	Appl. date 22.12.98
Issue: 21.12.06	
Scale: Photo-reduced	
Title Temporary Sign	
DESTINATION & ROUTE NO. REACHED FROM A MOTORWAY EXIT ROAD DURING ROAD WORKS	
WELSH ASSEMBLY GOVERNMENT	
Drwg. no.	WAG/P 7241