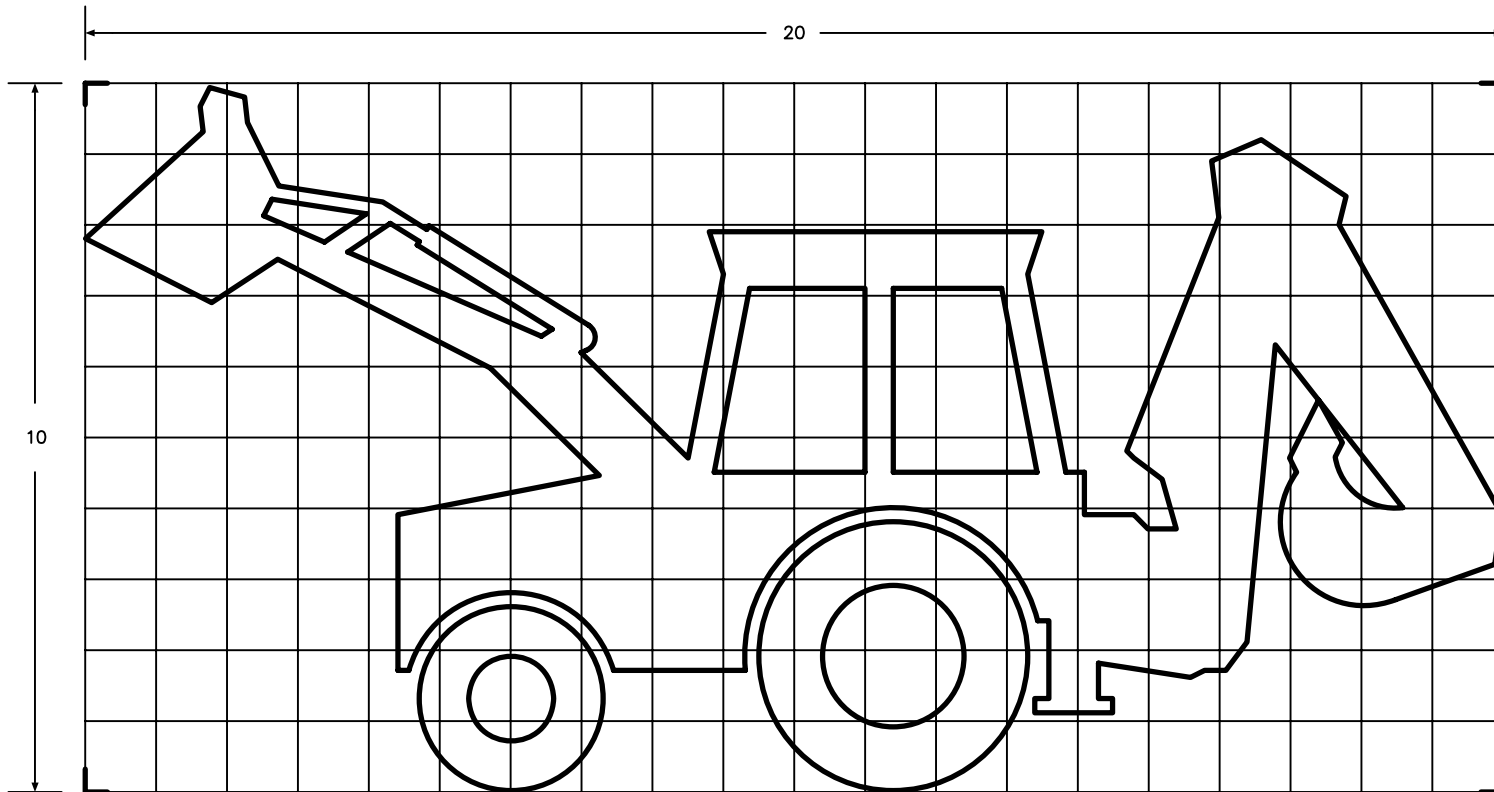


Notes: -

1. Crown copyright 1991. This drawing must NOT be reproduced. Further copies may be obtained from the Welsh Office, Transport, Highways and Planning Group.
2. The grid lines do not form part of any sign to which the symbol is applied.
3. All dimensions are given in grid divisions.



REVISIONS	
Before using this drawing, confirm with RE(Gen)4 Div. that it has not been superseded.	
Drn. A.T.I.	Appd. L.A.P.
Chkd. L.A.P.	Appl. date 3.5.91
Issue 3.5.91	
Scale Photo-reduced	
Title	
Details of EXCAVATOR symbol	
WELSH OFFICE	
Drwg. No.	
WO/WBM 622.8	