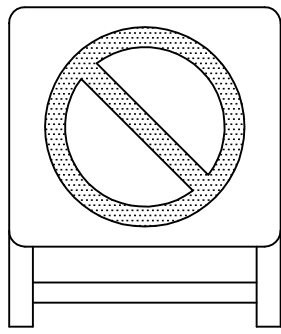
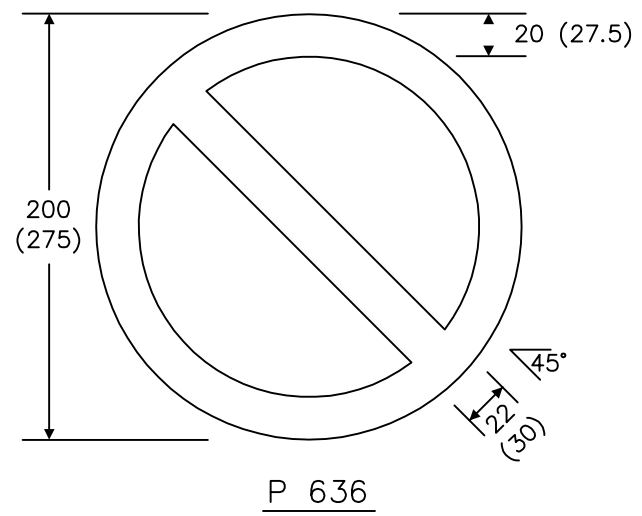
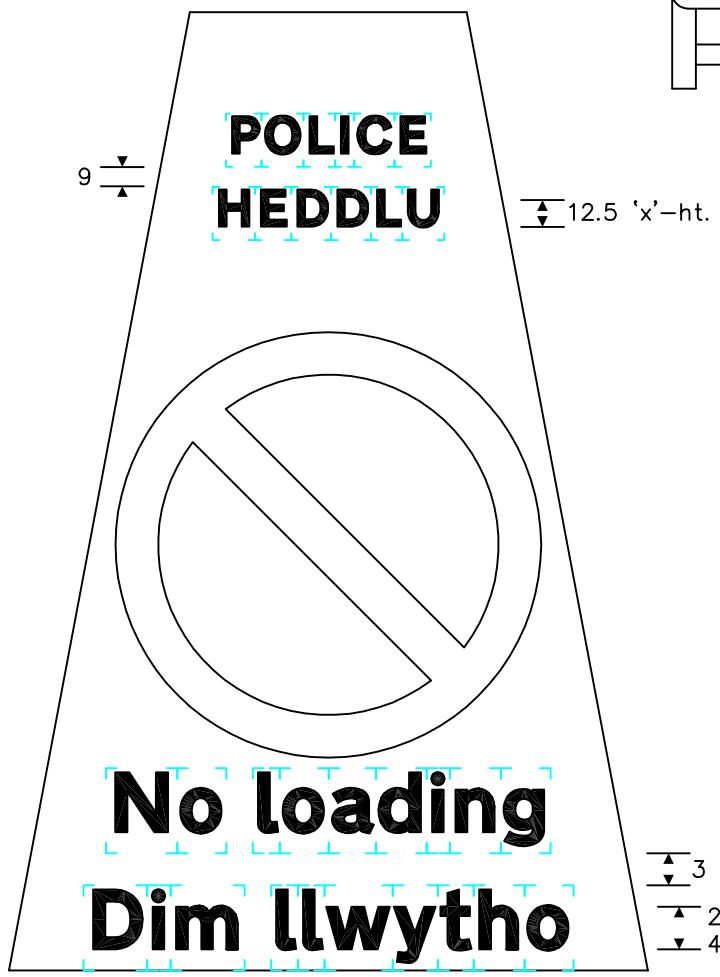


275 dia used on temporary stand



- Notes: -
1. The legend is from the Transport Heavy alphabet at the 'x'-heights shown.
 2. The colours are as follows: -
 P 636 Border & diagonal — Red
 Background — Blue
 WAG/P 636.1 Legend — Black
 Background — Yellow
 3. The outlines of the tiles do not form part of the sign.
 4. The sign shall not be reflectorised.
 5. All dimensions are given in millimetres unless otherwise stated.
 6. The order of languages may be reversed if required.



WAG/P 636.1

REVISIONS	
1.	Notes amended 25.6.80
2.	636.1 redrawn 20.7.84
3.	Diagrams added 3.6.85
4.	Dimensions amended & redrawn 22.2.96
5.	Redrawn & notes amended 21.2.03
6.	Notes amended 8.2.07
Before using this drawing, confirm with RNM3 Division that it has not been superseded.	
Drn.	A.T.I. Appd.
Chkd.	Appl. date 17.9.75
Issue: 8.2.07	
Scale: Photo-reduced	
Title Regulatory Signs	
TEMPORARY PROHIBITION OF WAITING AND LOADING (Cone & temporary stand)	
WELSH ASSEMBLY GOVERNMENT	
Drwg. no.	WAG/P 636.1