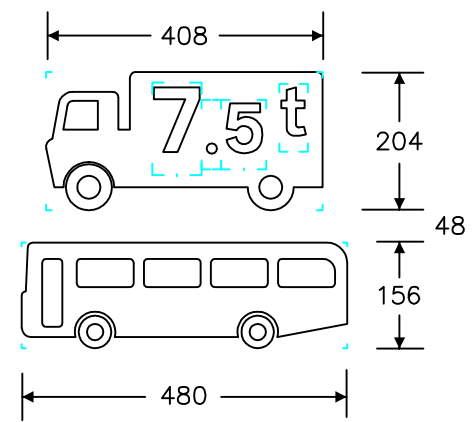
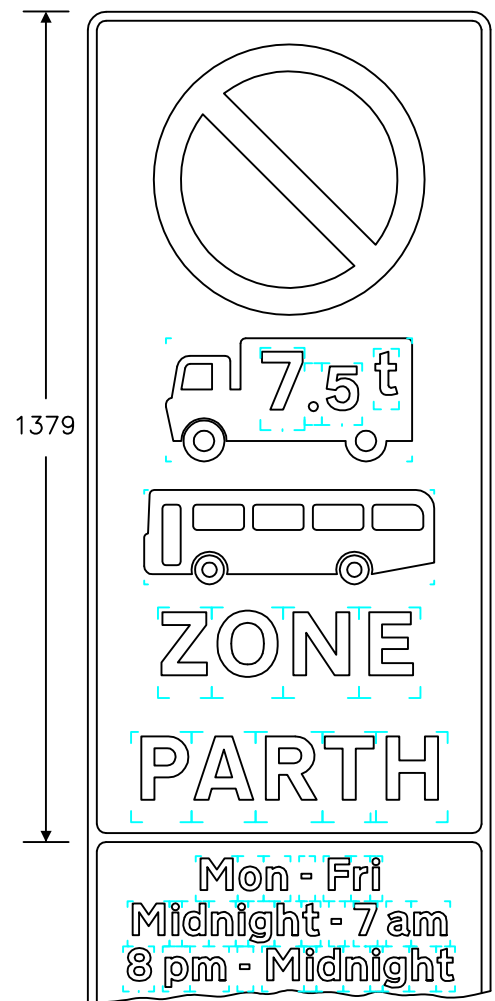
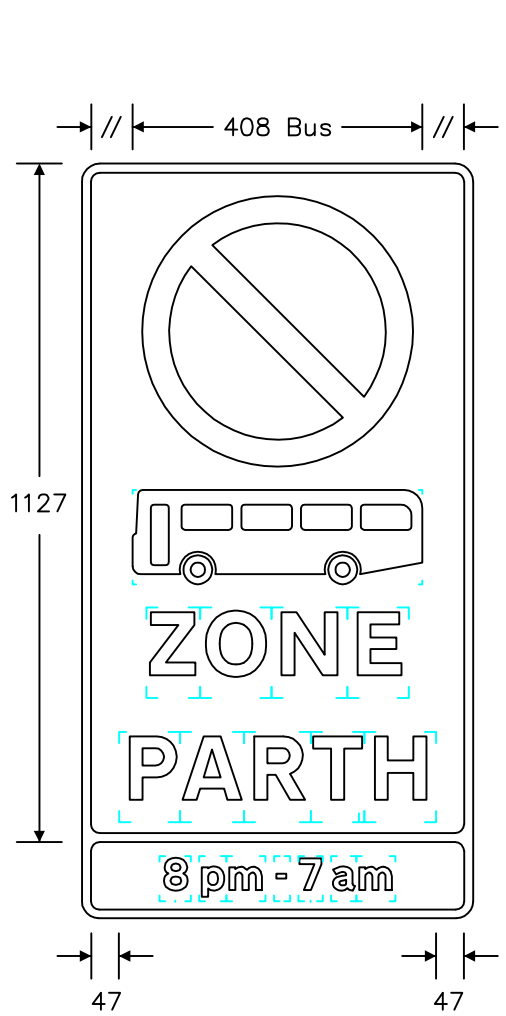


Notes: -

1. The legend is from the Transport Heavy alphabet at the 'x'-heights shown.
2. The outlines of the tiles do not form part of the sign.
3. Details of the '5t' lorry symbol are given on drawing S 32.
4. The colours are as follows: -
 - Legend & border ——— Black
 - Background ——— White
 - Roundel & bar ——— Red
 - Roundel background ——— Blue
 - Lorry symbol ——— Black
 - 5T on lorry ——— White
5. The illumination of the sign must accord with the requirements of the current 'Traffic Signs Regulations and General Directions'.
6. The order of languages may be reversed if required.
7. The sign is designed in accordance with the current design rules.
8. All dimensions are given in millimetres and are based on the smaller 'x'-heights. They are varied proportionally for the larger sign size.
9. See sheet 2 for variants.

REVISIONS	
1.	Dimensions amended, variant added 17.6.96
2.	Redrawn & notes amended 31.8.99
3.	Legend amended 20.8.03
4.	Variants added to sheet 2 15.2.07
5.	Lorry symbol amended as per S32 31.1.12
<small>Before using this drawing, confirm with RNM3 Division that it has not been superseded.</small>	
Drn.	A.T.I.
Appd.	
Chkd.	Appl. date 11.2.88
Issue: 30.3.12	
Scale: Photo-reduced	
Title	
Regulatory Sign	
ENTRANCE TO	
CONTROLLED PARKING	
ZONE	
(applying to goods vehicles)	
WELSH GOVERNMENT	
Drwg. no.	WAG/P 665
Sheet 1 of 2	



© Crown copyright. Transport Wales, Welsh Government.

Notes:-

1. The legend is from the Transport Heavy alphabet at the 'x'-heights shown.
2. The outlines of the tiles do not form part of the sign.
3. Bus symbol details are given on drawing S 25 and '7.5t' lorry symbol details are given on drawing S 32 .
4. The colours are as follows:-

Legend & border	_____	Black
Background	_____	White
Roundel & bar	_____	Red
Roundel background	_____	Blue
Lorry & bus symbols	_____	Black
7.5t on lorry	_____	White
5. The illumination of the sign must accord with the requirements of the current 'Traffic Signs Regulations and General Directions'.
6. The order of languages may be reversed if required.
7. The sign is designed in accordance with the current design rules.
8. All dimensions are given in millimetres and are based on the smaller 'x'-heights. They are varied proportionally for the larger sign size.
9. See sheet 1 for other dimensions.

REVISIONS	
1. Dimensions amended, variant added 17.6.96	
2. Redrawn & notes amended 31.8.99	
3. Legend amended 20.8.03	
4. Variants added to sheet 2 15.2.07	
5. Lorry symbol amended as per S32 3.2.12	
<small>Before using this drawing, confirm with RNM3 Division that it has not been superseded.</small>	
Drn. A.T.I.	Appd.
Chkd.	Appl. date 11.2.88
Issue: 30.3.12	
Scale: Photo-reduced	
Title Regulatory Sign ENTRANCE TO CONTROLLED PARKING ZONE (applying to buses & goods vehicles)	
WELSH GOVERNMENT	
Drwg. no.	WAG/P 665
Sheet 2 of 2	