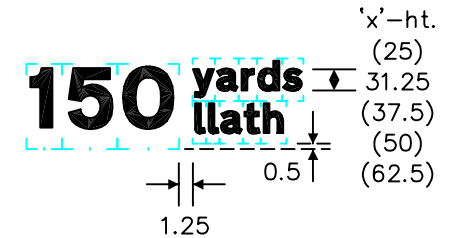
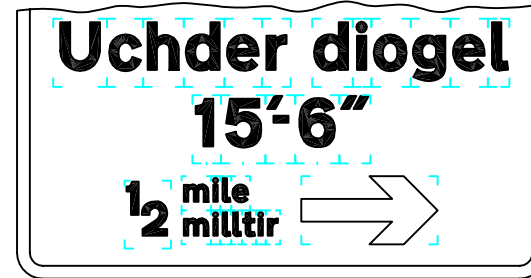


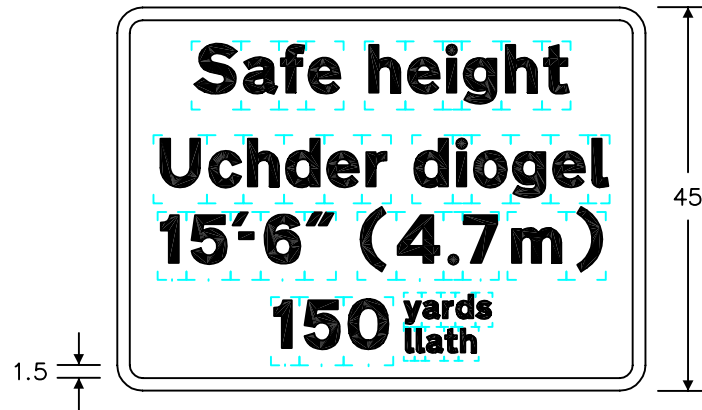
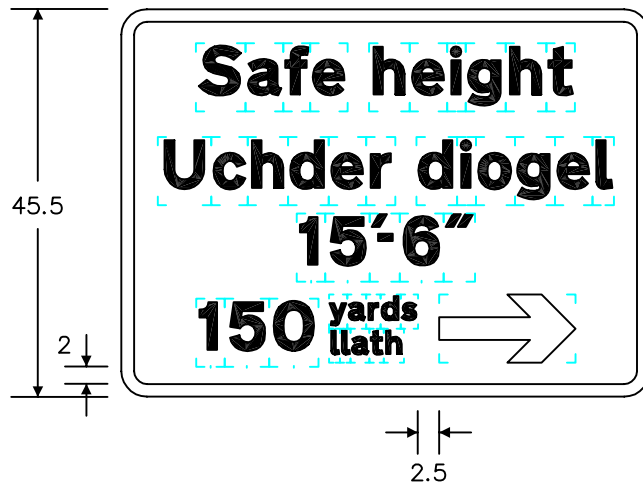
triangle height	'x'-ht.
600	(50)
600	62.5
750	(75)
900	(100)
1200	(125)

Notes:-

- The legend is from the Transport Heavy alphabet at the 'x'-heights shown.
- The outlines of the tiles do not form part of the sign.
- The colours are as follows:-
Background _____ White
Border, legend & arrow _____ Black
- The illumination of the sign must accord with the requirements of the current 'Traffic Signs Regulations and General Directions'.
- The 'x'-heights shown are given in millimetres, all other dimensions are given in stroke widths based on the main text height (i.e. 1s/w = 1/4'x'-height)
- These plates are used with P 779.
- The direction of the arrow may be varied to accord with the circumstances.
- The order of languages may be reversed if required.



Variants



REVISIONS	
1.	Legend and notes amended 10.2.81
2.	Redrawn 14.11.84
3.	WO/MM 534.2 redesigned 17.1.89
4.	Nos. chgd. from 534.1 & 534.2, dims. amended 20.8.96
5.	Redrawn & notes amended 16.9.99
6.	Layout & legend amended, no. chgd. 21.8.03
7.	Drawings put on separate sheets 20.2.07
Before using this drawing, confirm with RNM3 Division that it has not been superseded.	
Drn.	A.T.I.
Appd.	
Chkd.	Appl. date 8.5.80
Issue: 20.2.07	
Scale: Photo-reduced	
Title Warning Signs	
SAFE HEIGHT supplementary plates for use with P 779	
WELSH ASSEMBLY GOVERNMENT	
Drwg. no. WAG/P 780.1A	