

When a legend is added the red bar and border is lowered by 6mm to maintain the 15mm spacing between the white border and the tiles of the legend above.

White symbol raised to join border

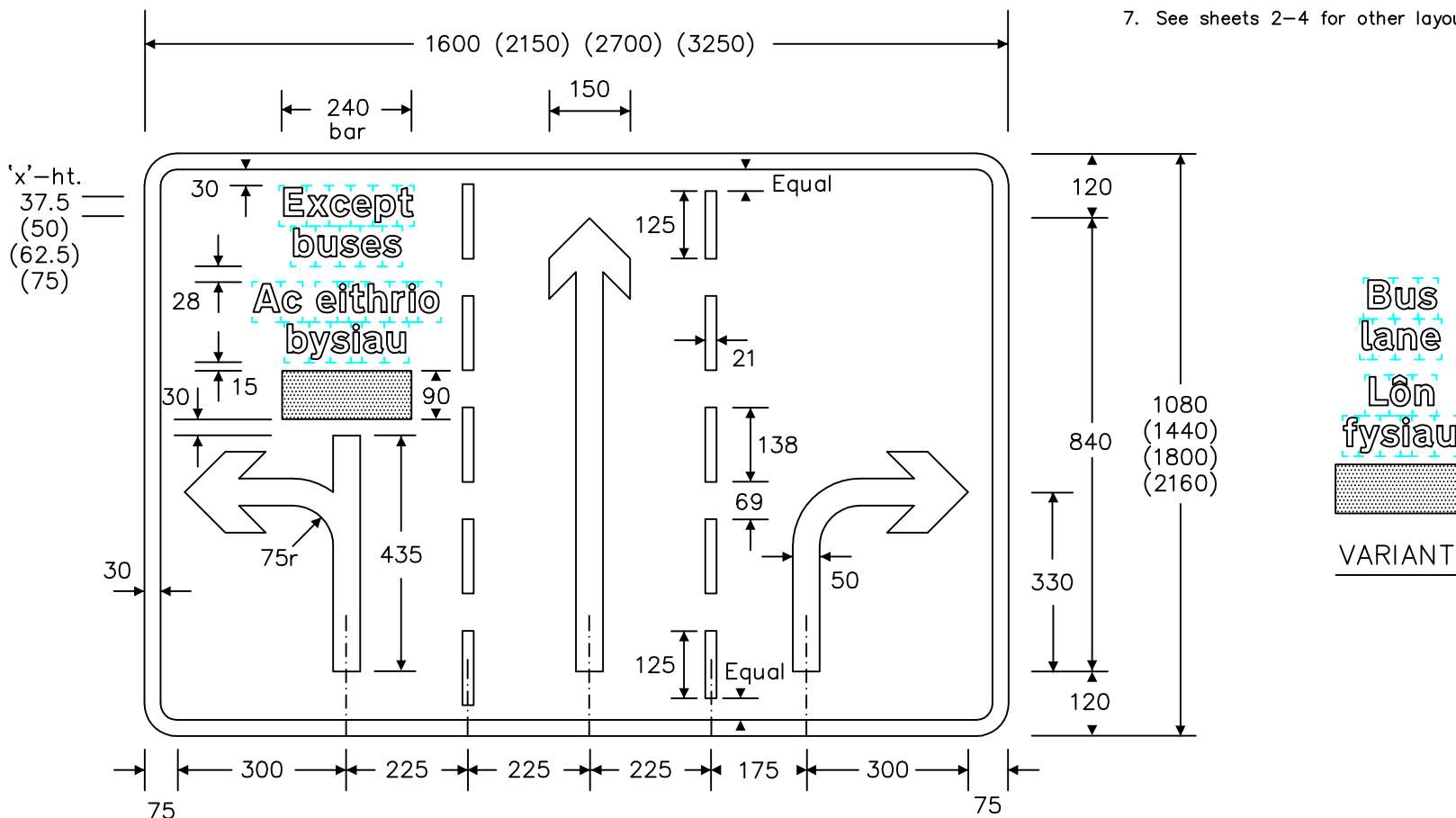
Add white border when on a blue or green background

Notes: -

1. Alphabets: - Transport Medium (Primary Routes and Motorways)  
Transport Heavy (Non-primary Routes)
2. The outlines of the tiles do not form part of the sign.
3. The colours are as follows: -

Legend, border,	_____	{ White (Primary Routes & Motorways)
arrows & lane lines	_____	{ Black (Non-primary Routes)
Background	_____	{ Dark Green (Primary Routes)
		{ Blue (Motorways)
		White (Non-primary Routes)
Horizontal Bar	_____	Red

4. The illumination of the sign must accord with the requirements of the current 'Traffic Signs Regulations and General Directions'.
5. All dimensions are given in millimetres. They are increased proportionally for the bracketed sign sizes.
6. The order of languages may be reversed if required.
7. See sheets 2-4 for other layouts.



VARIANT

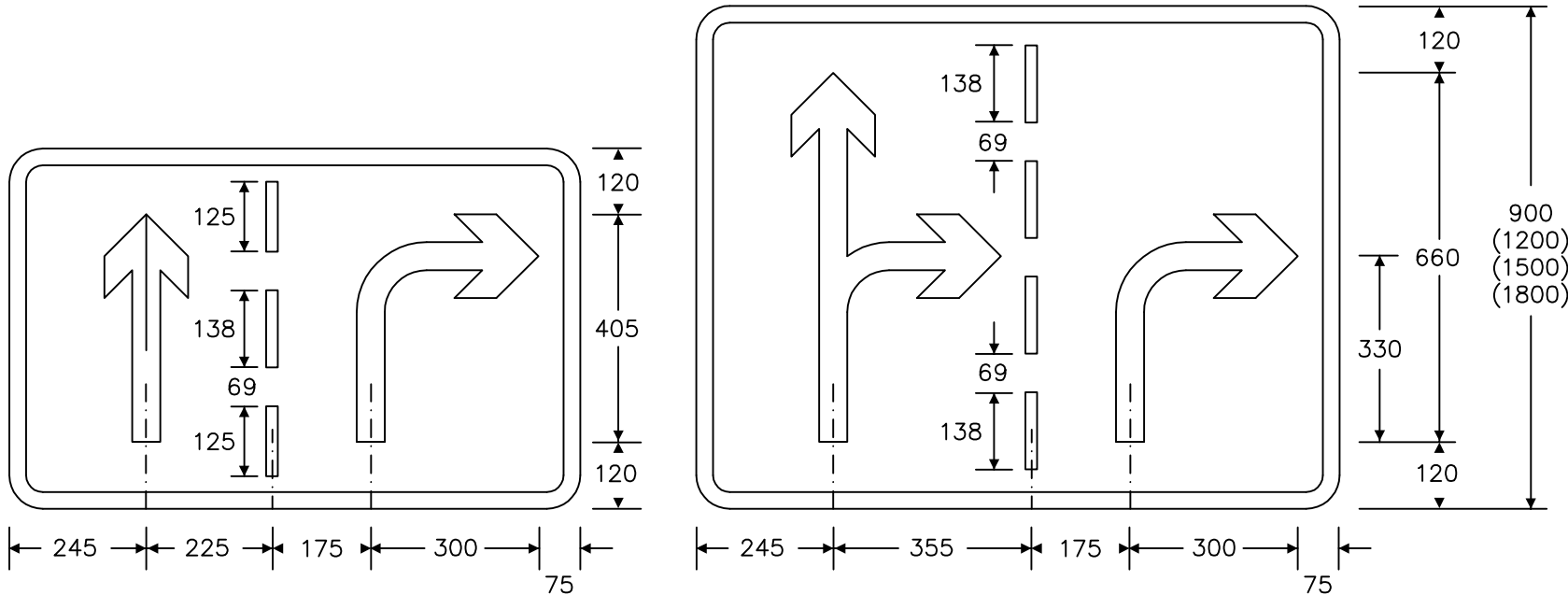
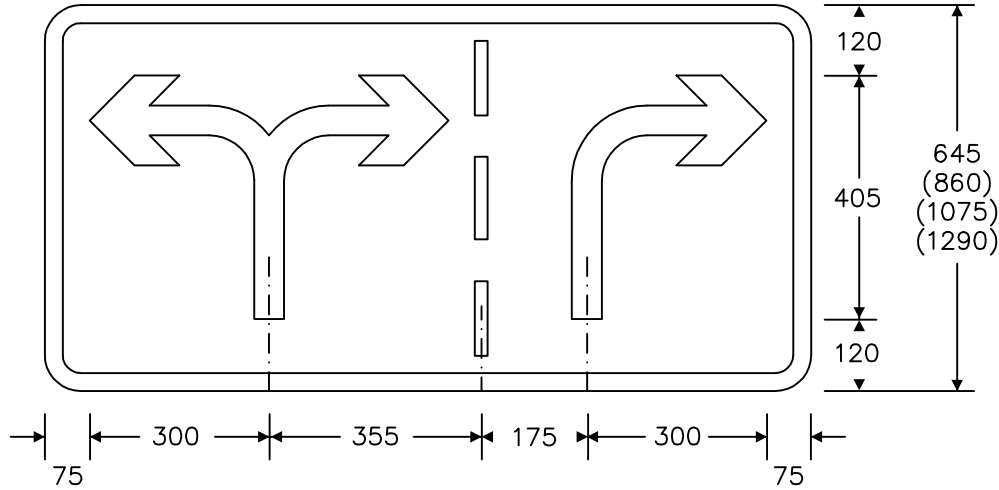
REVISIONS	
1.	Dims. amended, no. chgd. from 812 24.9.96
2.	Variant added 3.10.03
3.	Notes amended 8.3.07
4.	Note 3 amended 8.2.12
Before using this drawing, confirm with RNM3 Division that it has not been superseded.	
Drn. A.T.I.	Appd.
Chkd.	Appl. date 15.2.88
Issue: 30.3.12	
Scale: Photo-reduced	
Title Informatory Sign	
DEDICATED LANES AT JUNCTION AHEAD	
WELSH GOVERNMENT	
Drwg. no.	WAG/P 877
Sheet 1 of 4	

Notes:-

1. The colours are as follows:-

- |                             |       |   |
|-----------------------------|-------|---|
| Border, arrows & lane lines | _____ | { White (Primary Routes & Motorways)<br>Black (Non-primary Routes)              |
| Background                  | _____ | { Dark Green (Primary Routes)<br>Blue (Motorways)<br>White (Non-primary Routes) |

2. The illumination of the sign must accord with the requirements of the current 'Traffic Signs Regulations and General Directions'.
3. All dimensions are given in millimetres. They are increased proportionally for the bracketed sign sizes.
4. See sheet 1 for other dimensions and sheets 3 and 4 for other layouts.



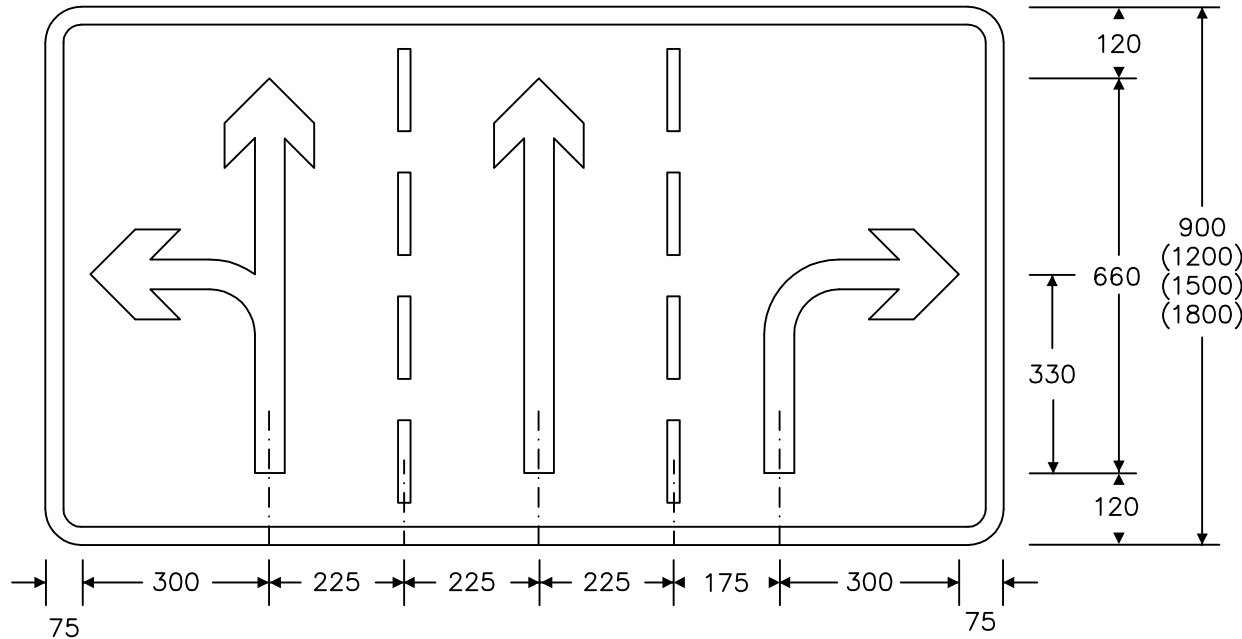
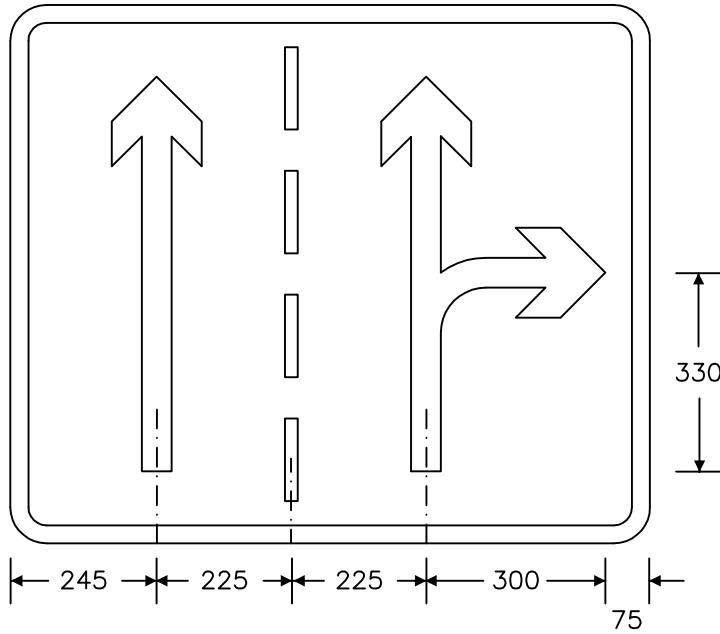
REVISIONS	
1.	Dims. amended, no. chgd. from 812 24.9.96
2.	Variant added 3.10.03
3.	Variants changed 11.10.05
4.	Note 1 amended 8.2.12
Before using this drawing, confirm with RNM3 Division that it has not been superseded.	
Drn. A.T.I.	Appd.
Chkd.	Appl. date 15.2.88
Issue: 30.3.05	
Scale: Photo-reduced	
Title Informatory Sign	
DEDICATED LANES AT JUNCTION AHEAD	
WELSH GOVERNMENT	
Drwg. no.	WAG/P 877
Sheet 2 of 4	

Notes:-

1. The colours are as follows:-

- |                             |       |   |
|-----------------------------|-------|---|
| Border, arrows & lane lines | _____ | { White (Primary Routes & Motorways)<br>Black (Non-primary Routes)              |
| Background                  | _____ | { Dark Green (Primary Routes)<br>Blue (Motorways)<br>White (Non-primary Routes) |

2. The illumination of the sign must accord with the requirements of the current 'Traffic Signs Regulations and General Directions'.
3. All dimensions are given in millimetres. They are increased proportionally for the bracketed sizes.
4. See sheet 1 for other dimensions and sheets 2 and 4 for other layouts.



REVISIONS	
1. Dims. amended, no. chgd. from 812	24.9.96
2. Variant added	3.10.03
3. Variants changed	11.10.05
4. Note 1 amended	8.2.12
Before using this drawing, confirm with RNM3 Division that it has not been superseded.	
Drn. A.T.I.	Appd.
Chkd.	Appl. date 15.2.88
Issue: 30.3.12	
Scale: Photo-reduced	
Title Informatory Sign	
DEDICATED LANES AT JUNCTION AHEAD	
WELSH GOVERNMENT	
Drwg. no.	WAG/P 877
Sheet 3 of 4	

