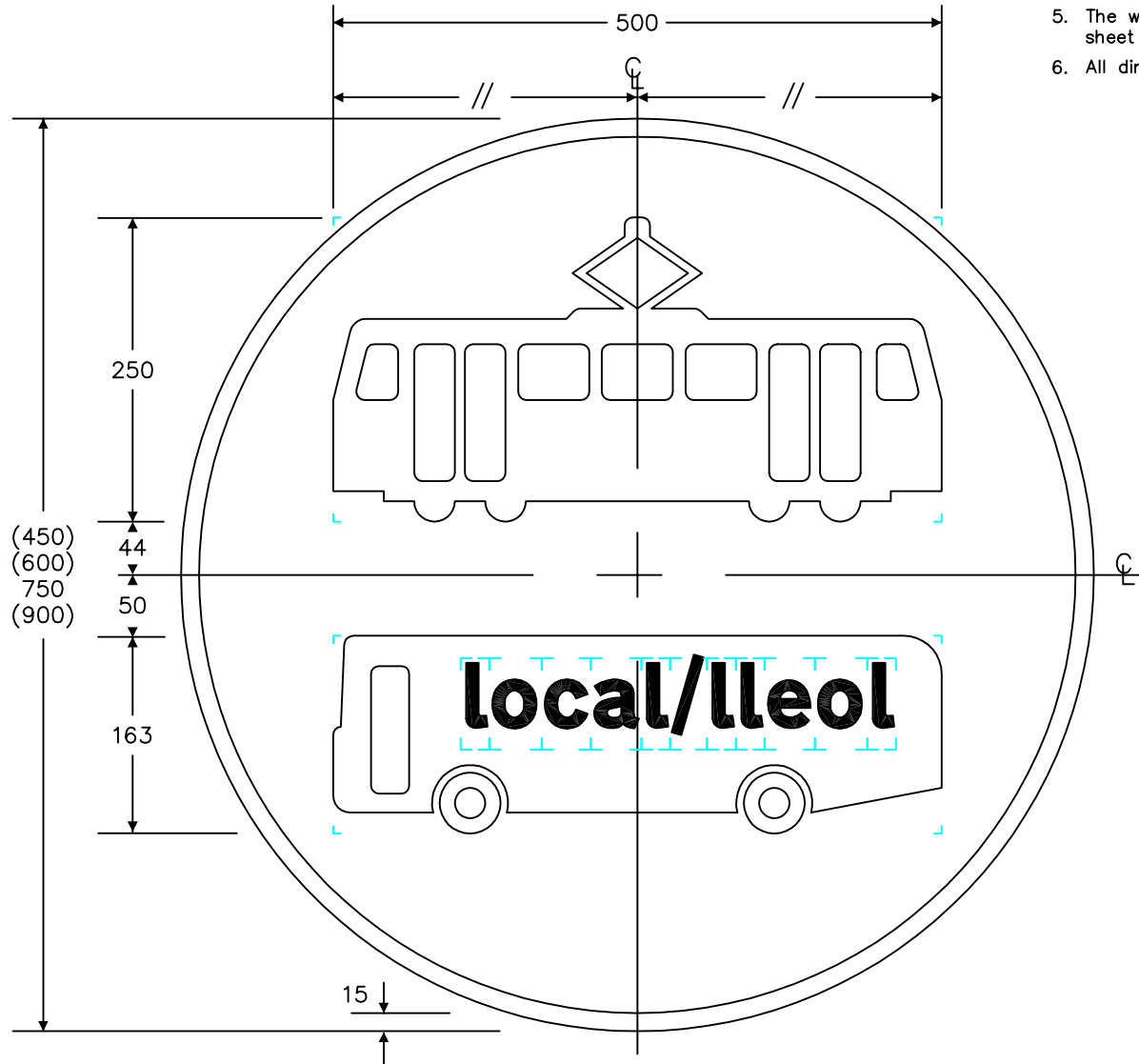


Notes: -

1. Details of the symbols are given on S 25 (bus) and S 26 (tram).
2. The colours are as follows: -
 Border & symbols — White
 Background — Blue
3. The illumination of the sign must accord with the requirements of the current 'Traffic Signs Regulations and General Directions'.
4. All dimensions for the 750mm sign shall be varied proportionally for the other sign sizes.
5. The words 'local/lleol' may be removed from the bus symbol (see drawing S 25 sheet 1 for details).
6. All dimensions are given in millimetres.



REVISIONS	
1.	Redrawn & notes amended 6.11.03
2.	Notes amended 8.3.07
Before using this drawing, confirm with RNM3 Division that it has not been superseded.	
Drn.	A.T.I.
Appd.	
Chkd.	
Appl. date	25.9.96
Issue:	8.3.07
Scale:	Photo-reduced
Title	Regulatory Sign
ROUTE FOR TRAMS & BUSES ONLY	
WELSH ASSEMBLY GOVERNMENT	
Drwg. no.	WAG/P 953.1