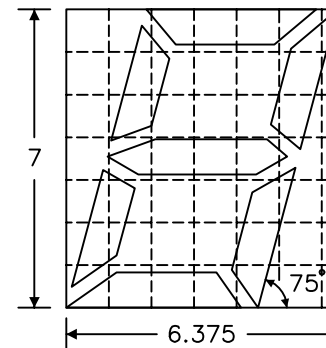


Notes:-

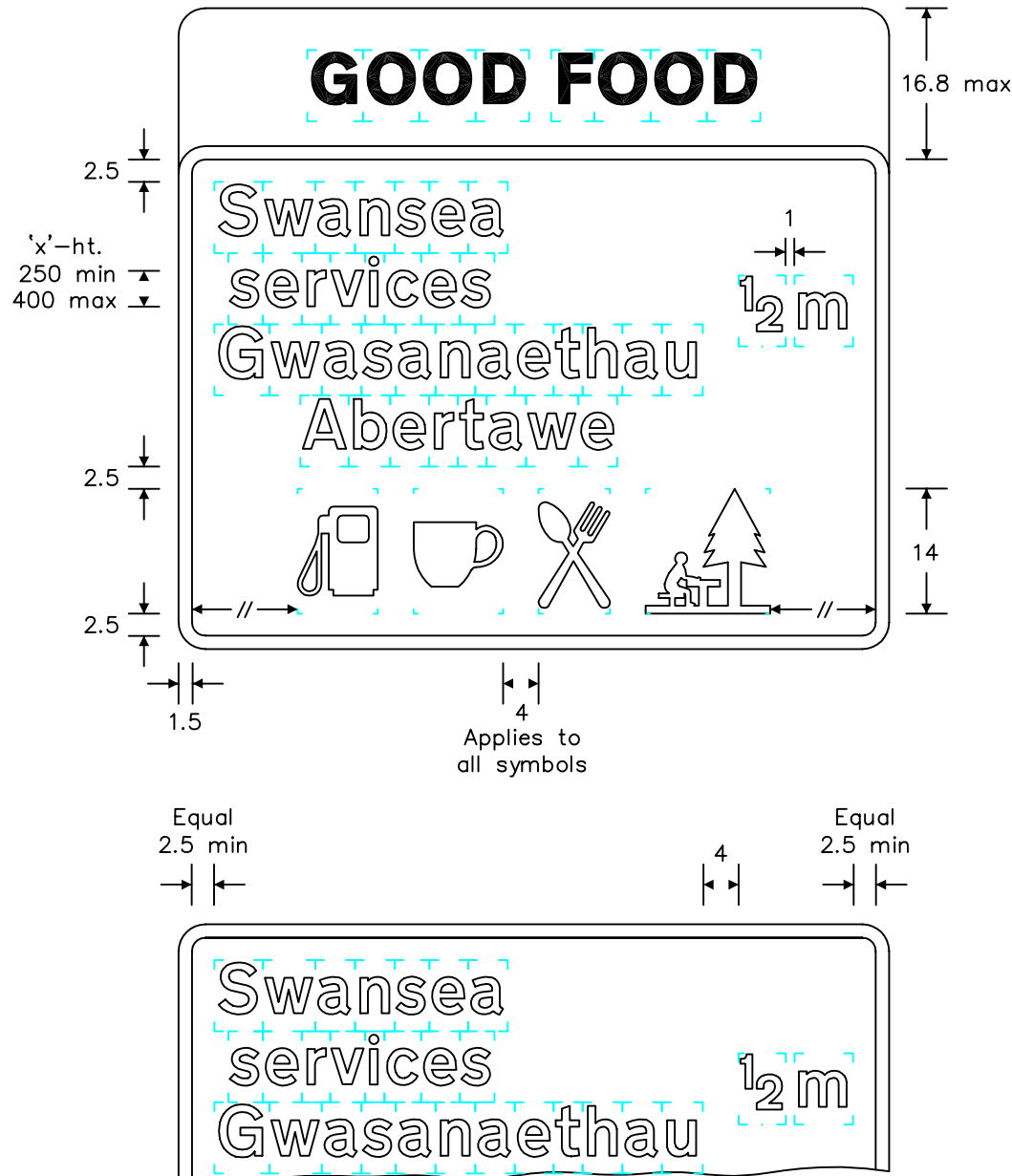
- The legend in the main panel, except the numerals for the petrol price is from the Transport Medium alphabet at the 'x'-heights shown.
- Symbol details are on drawings S 46, S 47, T 1 and T 4.
- The distance may be varied to 2m, 1½m, 2¾m or 1¾m.
- The outlines of the tiles do not form part of the sign.
- The colours are as follows:-
(for main sign)
Background _____ Blue
Border, legend & symbols _____ White
Pump symbol _____ Green on a white tile
- All symbols (other than the pump symbol) are 14sw high (tiles where shown).
Symbol widths are as follows:-
LPG _____ 19sw Picnic site _____ 14sw
Cup _____ 10sw 'i' information _____ 14sw
Spoon & Fork _____ 8sw Bed _____ 26sw
- The illumination of the sign must accord with the requirements of the current 'Traffic Signs Regulations and General Directions'.
- The 'x'-heights shown are given in millimetres, all other dimensions are given in stroke widths (i.e. 1s/w = 1/4 'x'-height).
The sign is designed in accordance with the current design rules.
- The order of languages may be reversed if required.
- The upper panel may be in any style of lettering, in any contrasting colours and may include the operator's logo. The border to the upper panel may be omitted. The upper panel, excluding the border to the main sign, may be omitted.



REVISIONS	
1.	Redesigned, no. chgd. from WBM 837.2 14.3.94
2.	Redrawn, dimensions amended 18.2.98
3.	Redrawn & notes amended 7.9.00
4.	Symbols & dims. amended, no. chgd. 4.8.04
Before using this drawing, confirm with RNM3 Division that it has not been superseded.	
Drn. A.T.I.	Appd.
Chkd.	Appl. date 8.2.93
Issue: 4.8.04	
Scale: Photo-reduced	
Title Informatory Sign MOTORWAY SERVICE AREA AHEAD	
WELSH ASSEMBLY GOVERNMENT	
Drwg. no. WAG/P 2919.1	
Sheet 1 of 2	

Notes: -

- The legend in the main panel is from the Transport Medium alphabet at the 'x'-heights shown.
- Symbol details are on drawings S 46, S 47 and T 4.
- The distance may be varied to 2m, 1.2m, 2.3m or 1.3m.
- The outlines of the tiles do not form part of the sign.
- The colours are as follows: -
(for main sign)
Background _____ Blue
Border, legend & symbols _____ White
- All symbols are 14sw high (tiles where shown). Symbol widths are as follows: -
Pump _____ 9sw Spoon & Fork _____ 8sw
Cup _____ 10sw Picnic site _____ 14sw
- The illumination of the sign must accord with the requirements of the current 'Traffic Signs Regulations and General Directions'.
- The 'x'-heights shown are given in millimetres, all other dimensions are given in stroke widths (i.e. 1s/w = 1/4'x'-height).
- The sign is designed in accordance with the current design rules.
- The order of languages may be reversed if required.
- The upper panel may be in any style of lettering, in any contrasting colours and may include the operator's logo. A border may be added to the upper panel. The upper panel may be omitted.



REVISIONS	
1. Redesigned, no. chgd. from WBM 837.2	14.3.94
2. Redrawn, dimensions amended	18.2.98
3. Redrawn & notes amended	7.9.00
4. Symbols & dims. amended, no. chgd.	4.8.04
Before using this drawing, confirm with RNM3 Division that it has not been superseded.	
Drn. A.T.I.	Appd.
Chkd.	Appl. date 8.2.93
Issue: 4.8.04	
Scale: Photo-reduced	
Title Informatory Sign MOTORWAY SERVICE AREA AHEAD	
WELSH ASSEMBLY GOVERNMENT	
Drwg. no.	WAG/P 2919.1
Sheet 2 of 2	