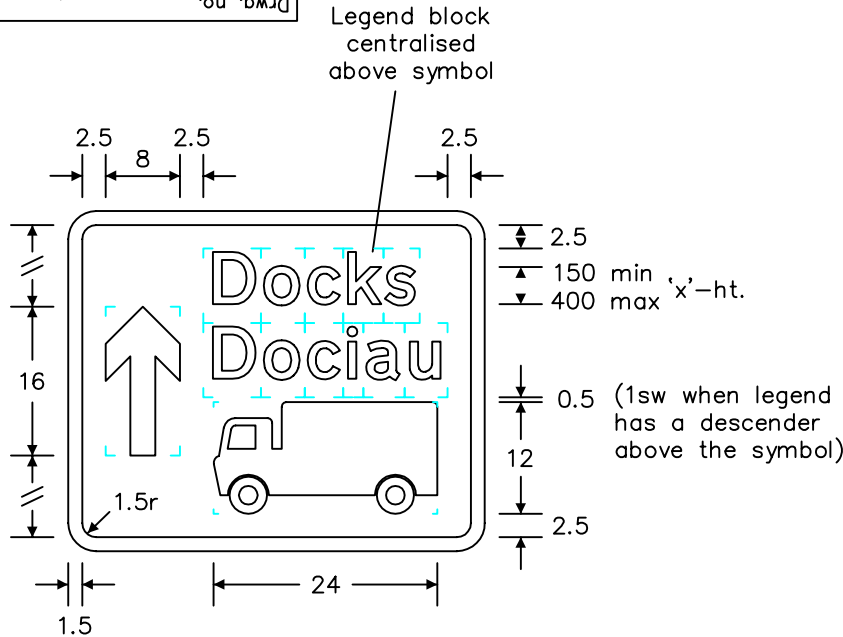
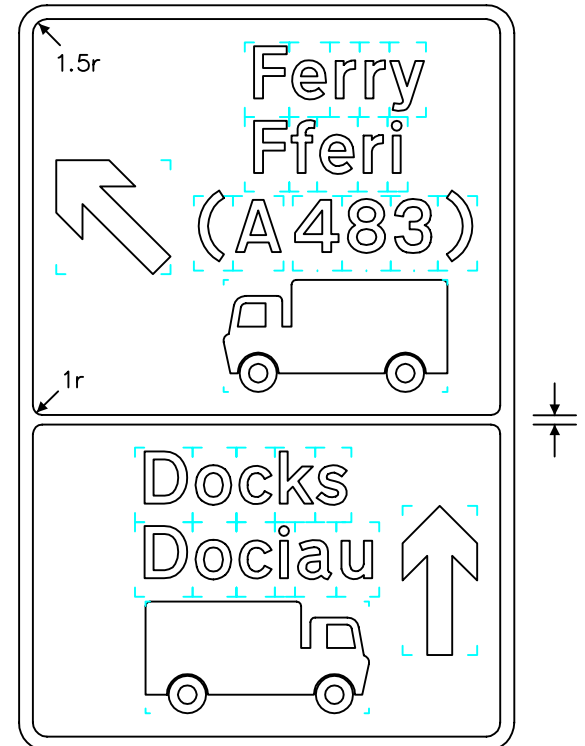
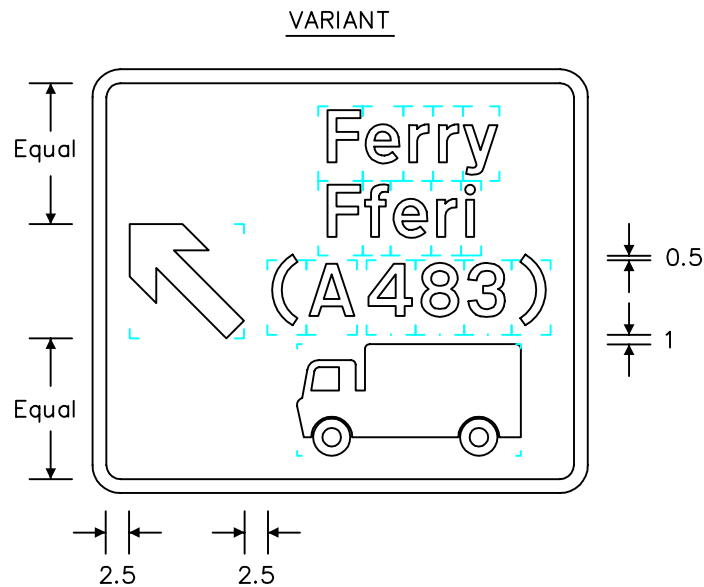


Notes: -

1. The legend is from the Transport Medium alphabet at the 'x'-heights shown.
2. Details of the lorry symbol are on drawing S 32 sheet 1.
3. The outlines of the tiles do not form part of the sign.
4. The colours are as follows: -
Legend, symbol, _____ White
arrow & border _____ Black
Background _____ Black
5. The 'x'-heights are in millimetres, other dimensions are in stroke widths.
(4sw = 'x'-height)
6. The order of languages may be reversed if required.
7. Note that when the signs are placed on an exit slip road of a motorway, primary route (green) and motorway (blue) bracketed route number patches may be used. All route numbers are white when the sign is used on the main carriageway of a motorway or on a motorway to motorway link road.



VARIANT



REVISIONS	
1.	Redrawn & notes amended 8.9.00
2.	Redrawn & notes amended 18.2.05
3.	Variants added 4.12.06
Before using this drawing, confirm with RNM3 Division that it has not been superseded.	
Drn. A.T.I.	Appd.
Chkd.	Appl. date 23.4.98
Issue: 4.12.06	
Scale: Photo-reduced	
Title Motorway Directional Sign	
ROUTE AHEAD ADVISED FOR GOODS VEHICLES	
WELSH ASSEMBLY GOVERNMENT	
Drwg. no.	WAG/P 2929