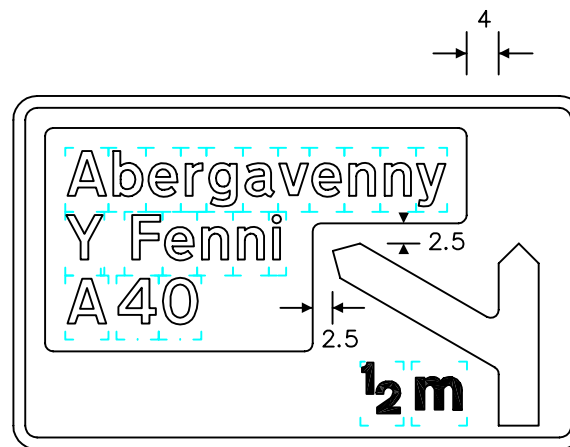
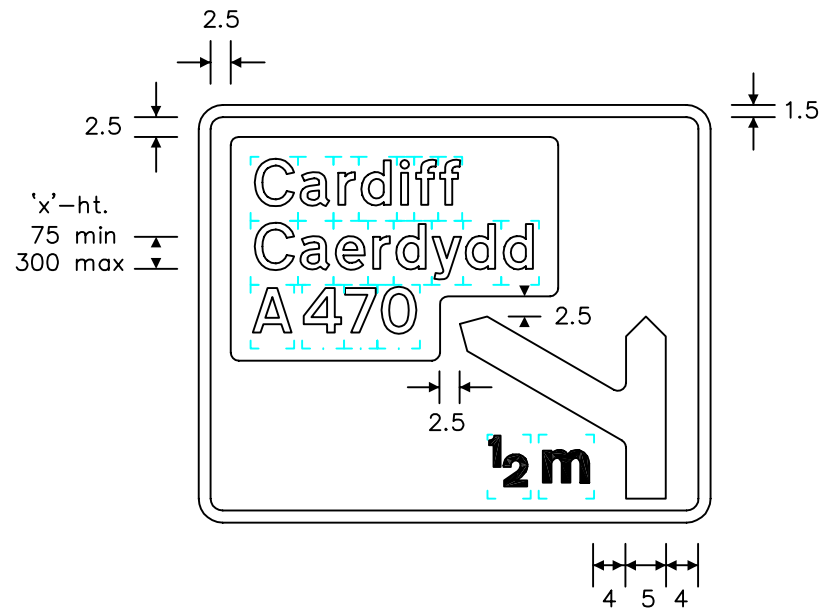
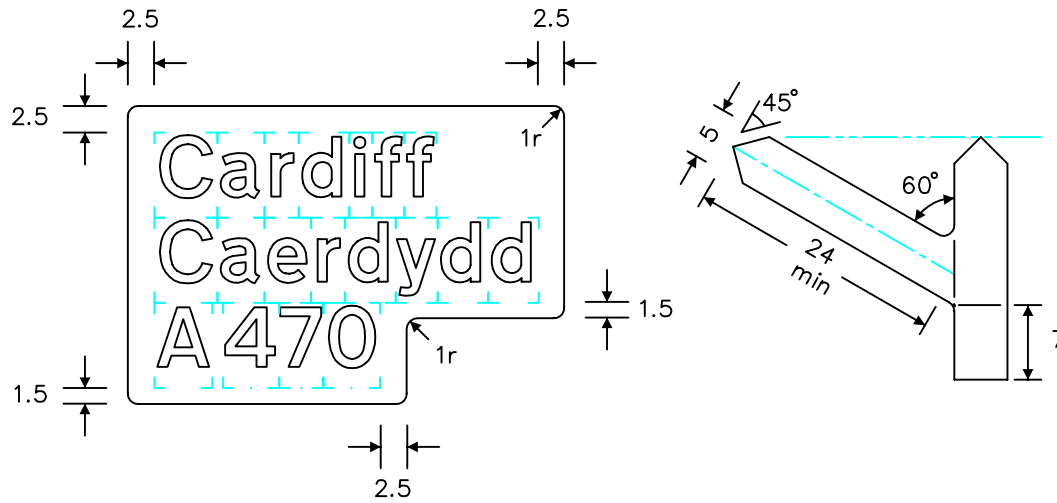


Notes: -

- The legends are from the Transport Heavy and Transport Medium alphabets at the 'x'-heights shown.
- The outlines of the tiles do not form part of the sign.
- The colours are as follows: -  
 Main Sign: -  
 Background \_\_\_\_\_ White  
 Border & route symbol \_\_\_\_\_ Black  
 Legend \_\_\_\_\_ Black (Transport Heavy)  
 Primary route panel: -  
 Background \_\_\_\_\_ Green  
 Legend \_\_\_\_\_ White (Transport Medium)  
 Route number \_\_\_\_\_ Yellow (Transport Medium)
- The illumination of the sign must accord with the requirements of the current 'Traffic Signs Regulations and General Directions'.
- The 'x'-heights shown are given in millimetres, all other dimensions are given in stroke widths (i.e.  $1s/w = 1/4 'x'$ -height).
- The sign is designed in accordance with the current design rules.
- The order of languages may be reversed if required.



REVISIONS	
1.	Redrawn & notes amended 15.8.00
2.	Redrawn & notes amended 6.5.04
3.	Notes amended 11.5.07
Before using this drawing, confirm with RNM3 Division that it has not been superseded.	
Drn. A.T.I.	Appd.
Chkd.	Appl. date 18.4.97
Issue: 11.5.07	
Scale: Photo-reduced	
Title Non-primary Route Directional Sign (Map-type)	
GRADE SEPARATED JUNCTION OF A NON-PRIMARY ROUTE WITH A PRIMARY ROUTE	
WELSH ASSEMBLY GOVERNMENT	
Drwg. no.	WAG/P 2101.1