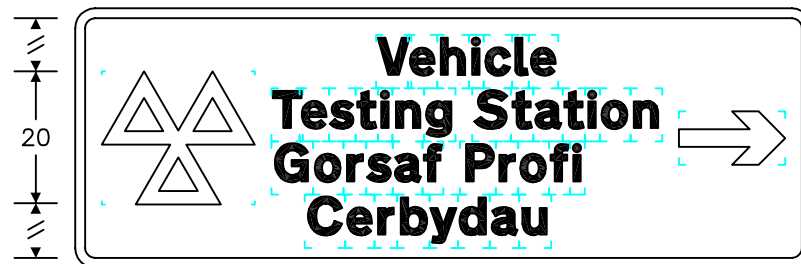
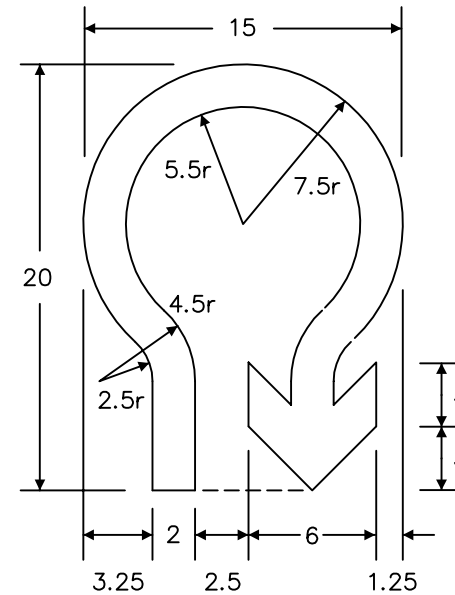
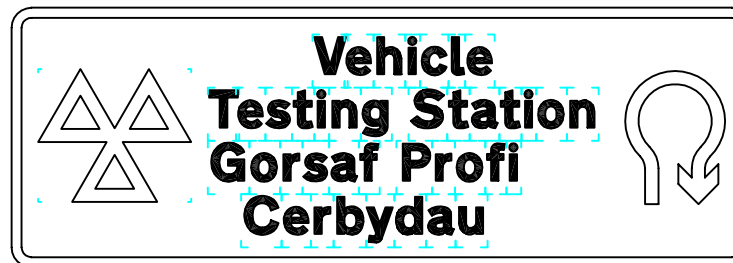
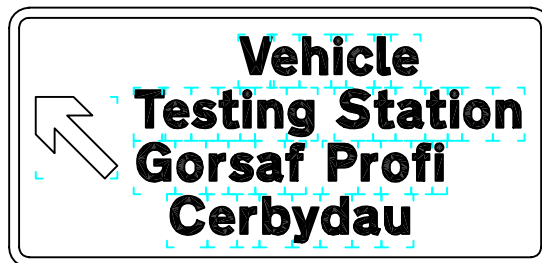


Notes: -

1. The legend is from the Transport Heavy alphabet at the 'x'-heights shown.
2. The outlines of the tiles do not form part of the sign.
3. The colours are as follows: -
 Background ————— White
 Legend, border, arrow & U-turn symbol ————— Black
 Testing station symbol ————— Blue
4. The illumination of the sign must accord with the requirements of the current 'Traffic Signs Regulations and General Directions'.
5. The 'x'-heights shown are given in millimetres, all other dimensions are given in stroke widths (i.e. $1s/w = 1/4 'x'$ -height).
6. The sign is designed in accordance with the current design rules.
7. The order of languages may be reversed if required.
8. Details of the Vehicle Testing Station symbol are given on dwg. S54.



Variants



REVISIONS	
1. Redrawn & notes amended	25.8.00
2. Variants added, 2802 moved to separate dwg.	11.10.04
3. Notes amended	17.9.07

Before using this drawing, confirm with RNM3 Division that it has not been superseded.

Drn. A.T.I.	Appd.
Chkd.	Appl. date 9.1.98

Issue: 17.9.07

Scale: Photo-reduced

Title Direction Signs

GOODS VEHICLE TESTING STATION

WELSH ASSEMBLY GOVERNMENT

Drwg. no. WAG/P 2801