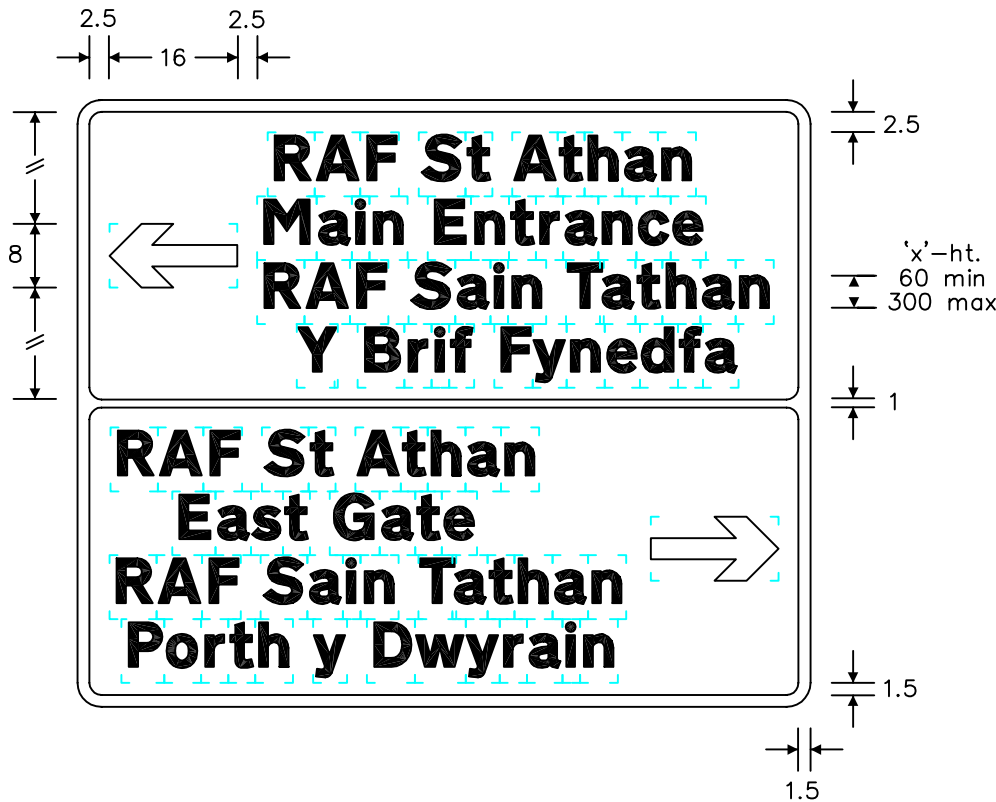
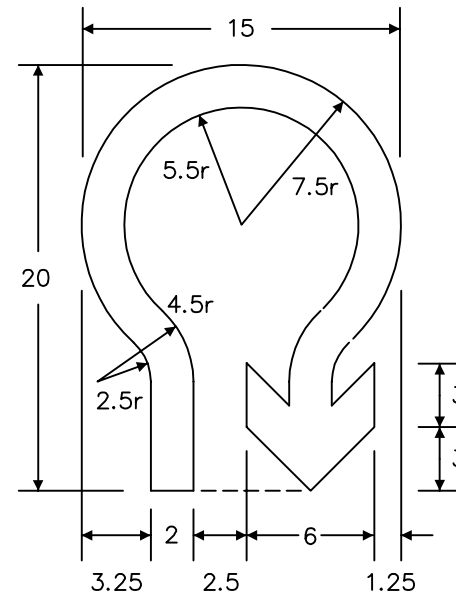


Notes: -

1. The legend is from the Transport Heavy alphabet at the 'x'-heights shown.
2. The outlines of the tiles do not form part of the sign.
3. The colours are as follows: -
 Border and arrows ——— Red
 Background ——— White
 Legend ——— Black
4. The illumination of the sign must accord with the requirements of the current 'Traffic Signs Regulations and General Directions'.
5. The 'x'-heights shown are given in millimetres, all other dimensions are given in stroke widths (i.e. $1s/w = 1/4 'x'$ -height).
6. The sign is designed in accordance with the current design rules.
7. The order of languages may be reversed if required.



VARIANT



REVISIONS	
1.	Layout of legend amended 22.11.82
2.	No. chgd. from 741 & 741.1 and dims. amended 26.1.98
3.	Redrawn & notes amended 25.8.00
4.	'x'-hts, legend & notes amended 11.10.04
5.	Notes amended 30.11.06
6.	2803 variant added, 2804 put on separate sheet 18.9.07
Before using this drawing, confirm with RNM3 Division that it has not been superseded.	
Drn.	A.T.I.
Appd.	
Chkd.	Appl. date 8.5.79
Issue: 18.9.07	
Scale: Photo-reduced	
Title Directional Signs	
DIRECTION TO A MINISTRY OF DEFENCE ESTABLISHMENT	
WELSH ASSEMBLY GOVERNMENT	
Drwg. no.	WAG/P 2803