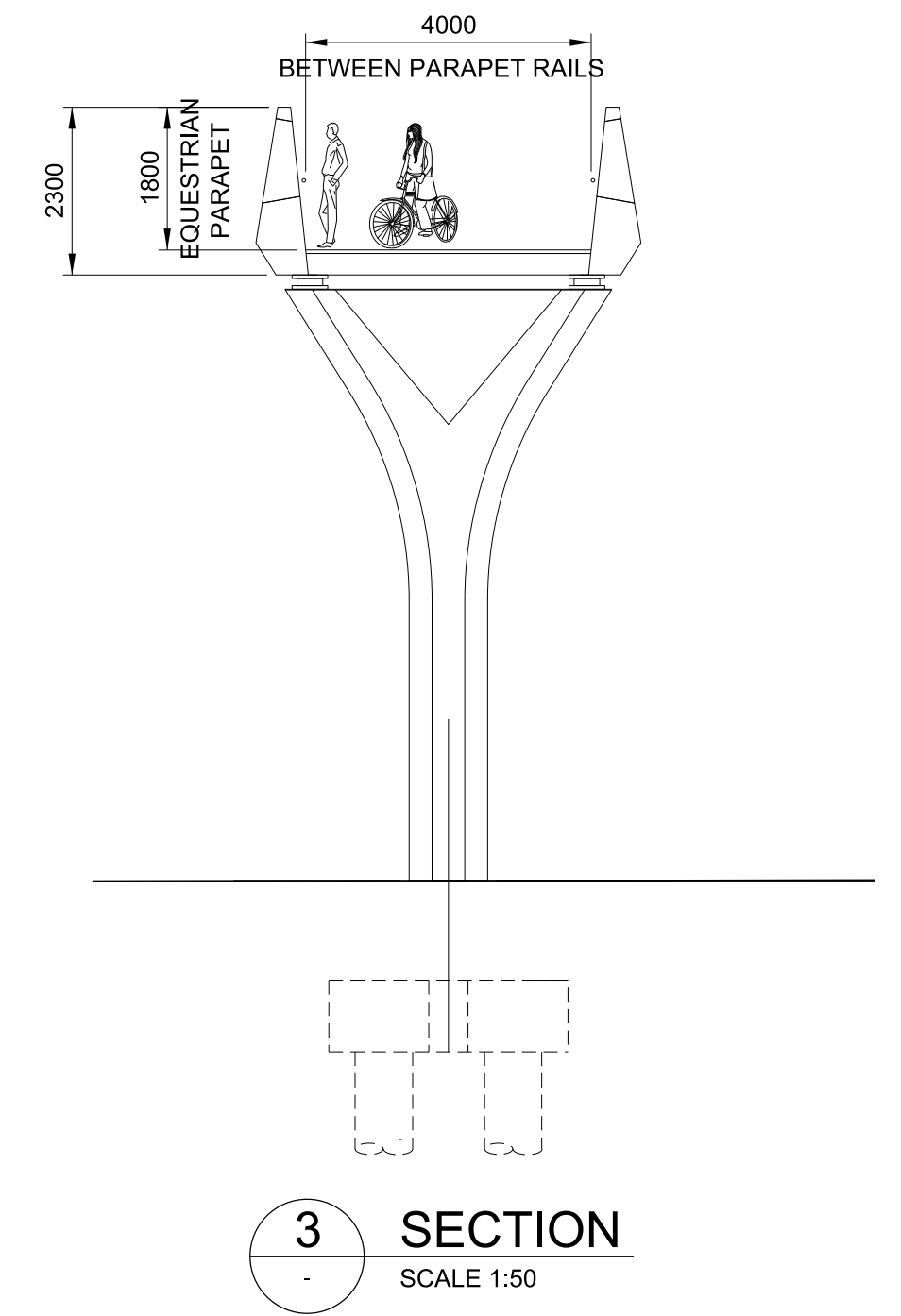
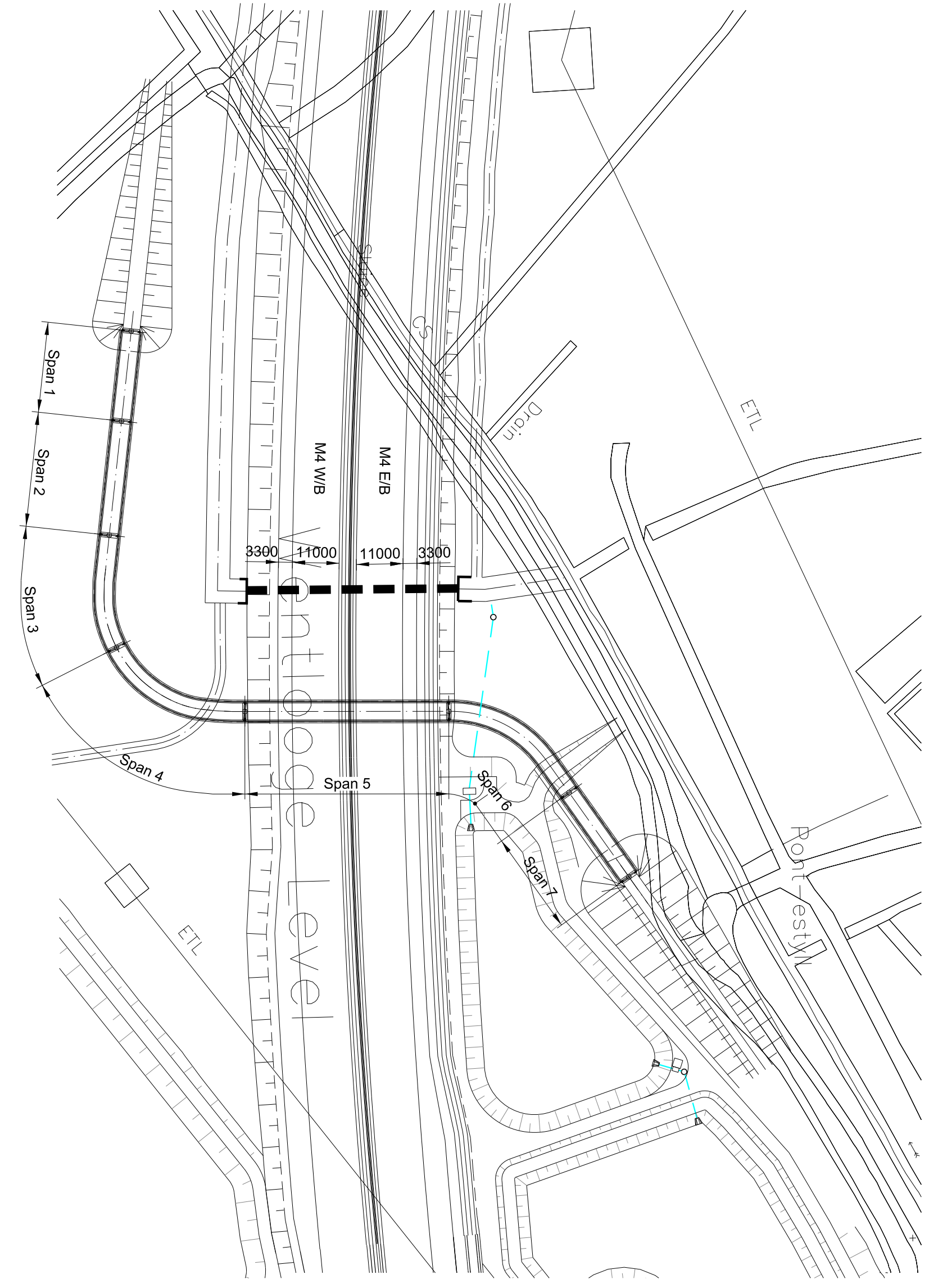
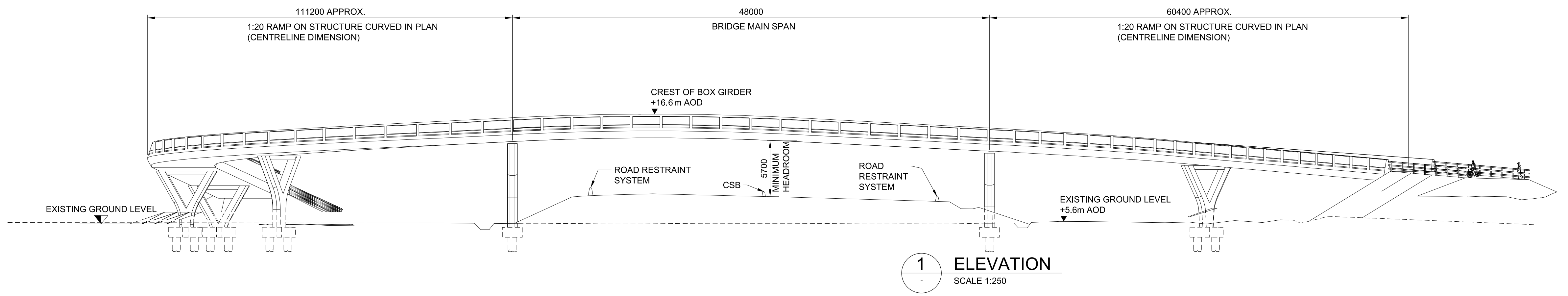


DO NOT SCALE

100
0 10
Millimetres



© Crown Copyright and database right 2015. Ordnance Survey 100021874. Welsh Government.
© Hyswfraint a hawliau cronfa ddiolaf? Goron 2015. Rhif Trewydd yf Arhwy Ordnans 100021874.

- GENERAL NOTES:**
- ALL DIMENSIONS ARE IN MILLIMETRES UNLESS NOTED OTHERWISE.
 - ONLY WRITTEN DIMENSIONS SHALL BE USED, DO NOT SCALE.
 - DIMENSIONS SUBJECT TO CHANGE AT DETAILED DESIGN


SAFETY, HEALTH AND ENVIRONMENTAL INFORMATION

In addition to the hazards/risks normally associated with the types of work detailed on this drawing, note the following significant residual risks (Reference shall also be made to the design hazard log).

Construction	Proximity to overhead power lines
Maintenance / Cleaning	Access to soffit for inspection and painting
Use	Access by unauthorised vehicles
Decommissioning / Demolition	Demolition in proximity to main line motorway and National Grid pylons

Rev.	Date	Description	By	Chk'd	App'd

Drawing Status	Suitability	Project Title		
		M4 CORRIDOR AROUND NEWPORT		
Project Team	Drawing Title			
FIGURE R2.9 PERCOED NMU BRIDGE GENERAL ARRANGEMENT SKETCH				
Scale	Designed / Drawn	Checked	Approved	Authorised
1:1	PDA	GRL	RNW	KEN
Original Size	Date	Date	Date	Date
A1	20/06/16	20/06/16	21/06/16	21/06/16
Drawing Number	Project	Originator	Volume	Revision
Z1_0580 - SK - CB - 0004	M4CaN - DJV - SBR -			
Location	Type	Role	Number	


 Llywodraeth Cymru
 Welsh Government